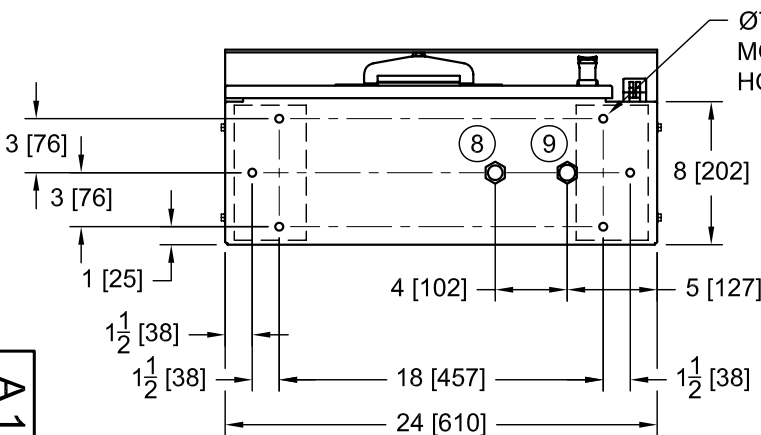
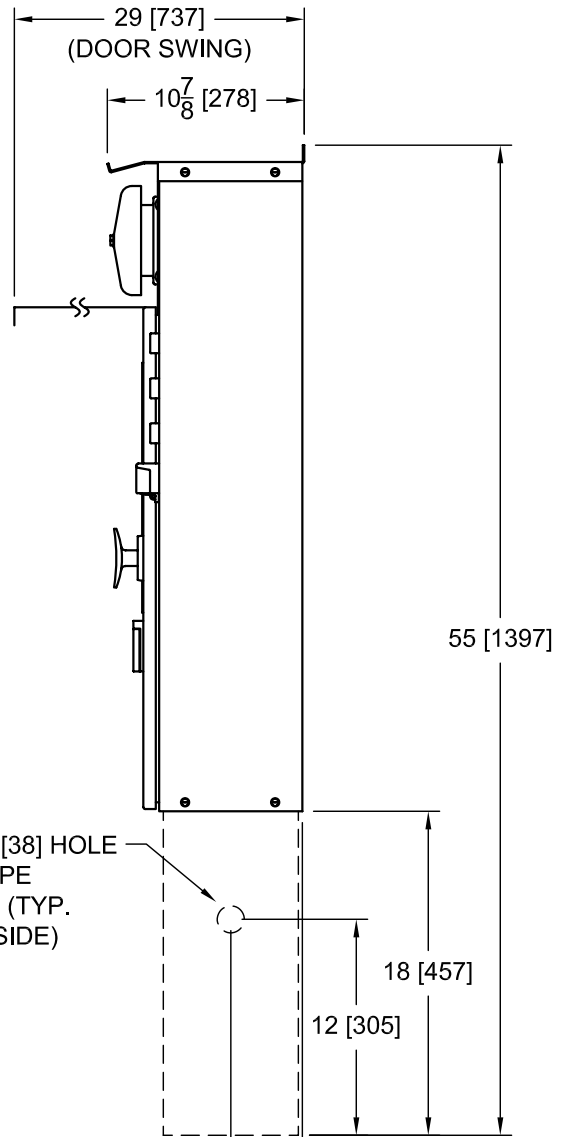
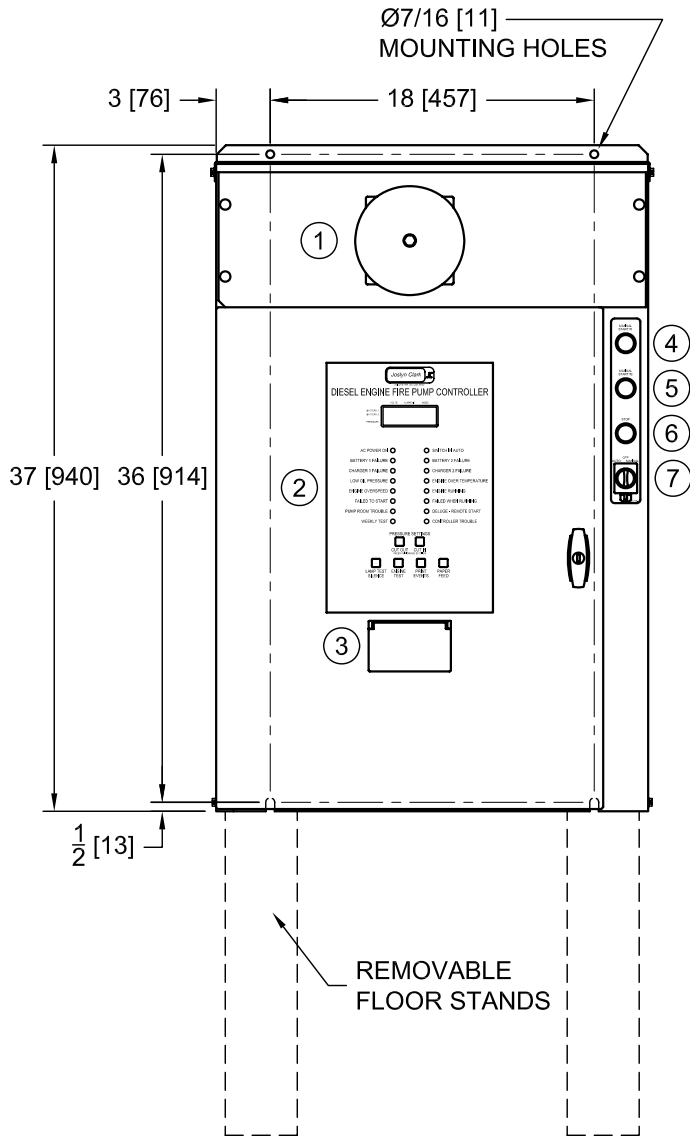


CABINET OUTLINE

TYPE 2, 3R [IP22], AND TYPE 12 [IP55] ENCLOSURES.
ALL DIMENSIONS ARE SHOWN IN INCHES [mm].



Ø1-1/2 [38] HOLE FOR PIPE ENTRY (TYP. EACH SIDE)

- ⑨ PRESSURE CONNECTION (1/2" FNPT)
- ⑧ TEST DRAIN (1/2" FNPT)
- ⑦ MAIN SWITCH (AUTO-OFF-MANUAL)
- ⑥ STOP BUTTON
- ⑤ BATTERY #2 MANUAL CRANK BUTTON
- ④ BATTERY #1 MANUAL CRANK BUTTON
- ③ EVENT PRINTER
- ② CONTROL MODULE & ANNUNCIATOR
- ① ALARM BELL

LEGEND

A 10-10710-03

REVISIONS
NEW RELEASE
PER ECN 15851.
REV. A - 10/07/05
UPDATED FOR
DESIGN LEVEL B.
ECN 16181. KJK

DES. NO.	B	REV.	A	
				SHEET 1 OF 1
<p>A 10-10710-03</p>				
<p>JOSLYN CLARK CONTROLS, LLC LANCASTER, SC USA 29720-8842</p>				FILE: 10710-03 Rev A
<p><i>Joslyn Clark</i></p>				SCALE: 1/32
		MADE BY	KJK	APP'D
		DATE	01/03/05	KMM
TITLE BUL. 10710 DIESEL ENGINE FIRE PUMP CONTROLLERS				
OUTLINE DRAWING				