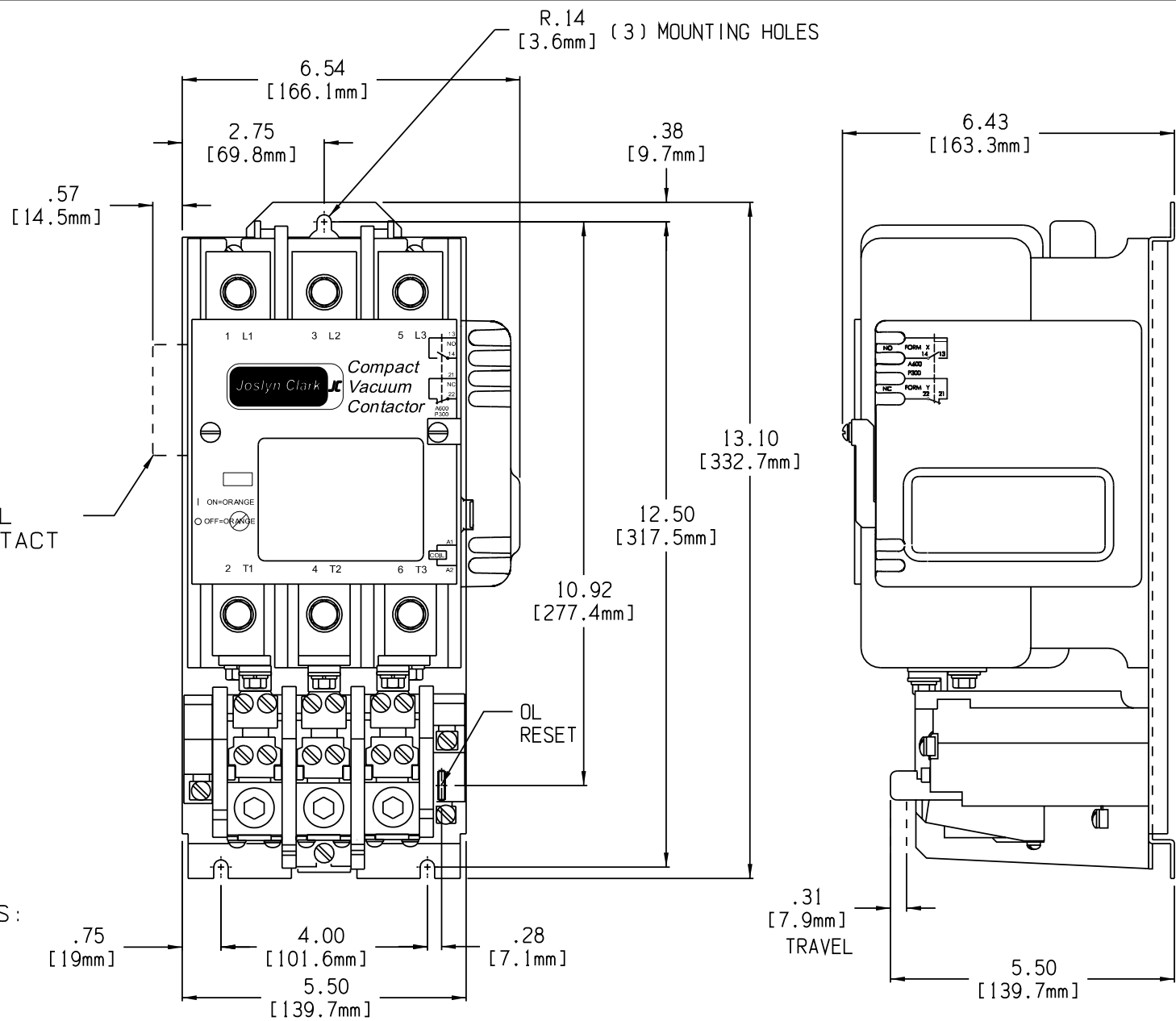


A60-461475-5

REVISIONS

RELEASED PER
ECN 15782.



OPTIONAL
AUX. CONTACT
KIT

CATALOG NUMBERS:
CV13U030406
CV13U032006
CV13U031615

TITLE OUTLINE DRAWING
PRODUCT BUL.6013 TYPE CV VACUUM STARTER- SIZE 4
MADE BY LOG APP'D BY JC DATE 6-26-03

JOSLYN CLARK CONTROLS, INC
LANCASTER, S.C. 29721-0945
PLOT FCT'R: 1/3 FILE: 461475-5

REV
A60-461475-5
SHEET 1 OF 1 SHEET